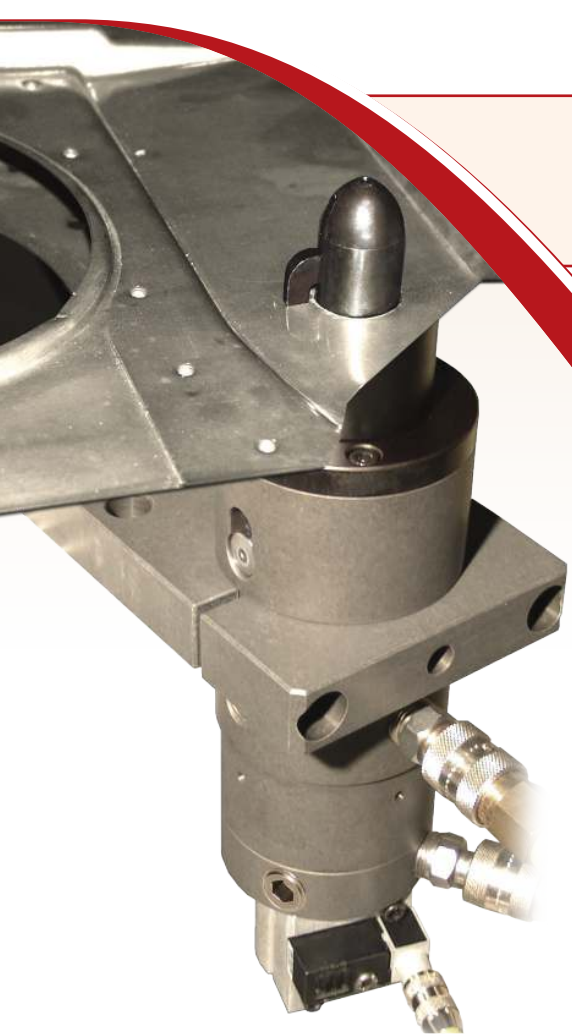


PIN & HOOK CLAMPS

Reduce cost by clamping through holes, slots or along edges.



Pin Clamps locate, **AND** clamp through holes or slots



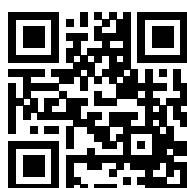
Hook Clamps offer reduced cost, simple clamping through holes, slots, or along edges



PLC25 **PLC45** **PLC63** (Shown) **RLPC45** **LPLC-38** (Shown)
SFC63 **RLPC63** (Shown) **LPLC-38M**
RLSFC63 **LSFC-38**

View our Pin & Hook Clamp Line of Products Online!

www.btm-europe.de



www.btm-europe.de



SAFETY NOTE

Customer is responsible for the safe operation and use of the products shown in this literature.

INTRODUCTION

BTM Pin Clamps reduce cost by both accurately locating through datum holes and clamping a part with one device. XYZ location register is achieved by incorporating a clamping finger or hook inside the locator pin thereby eliminating expensive swing arm power clamps.

The less expensive Hook Clamps are used when accurate part location is not required.

BTM Hook Clamps provide simple clamping through holes, slots or along edges further reducing cost. Hooked style fingers clamp over flanged holes.

Pin Clamps and Hook Clamps come in 3 types: **Clamping, Retaining, and Locking.**

Clamping – PLC and SFC – Air pressure on a piston multiplies the force required to clamp the part to the net surface.

Retaining - RLPC and RLFC – Air pressure applies both clamping force and retracts a spring loaded rod locker, which upon loss of air engages the finger/hook to retain the clamped part. This light weight and compact clamp is best for material handling and robotic EOAT.

Locking – LPLC and LSFC – A patented air driven cam mechanism maintains clamp force upon removal of air making this clamp ideal for moving fixtures. Clamp force is available within the last 3mm of finger/hook travel making this clamp ideal for clamping multiple part thicknesses.

All BTM Pin and Hook clamps feature 90° positioning of the finger/hook to avoid part obstructions or weld spatter. Round body clamps feature full 360° positioning of the finger/hook.



HOW THEY WORK

PIN CLAMPS (PLC, LPLC, RLPC)



STEP ONE

With the clamp finger retracted, the part is loaded over the locating pin.



STEP TWO

The material rests on the clamp Rest Block ("Donut").



STEP THREE

The finger swings out of the locating pin with 5mm of rotational travel.



STEP FOUR

The finger has 10mm of straight travel. LPLCs clamp and lock in the last 3mm.

HOOK CLAMPS (SFC, LSFC, RLSFC)

STEP ONE

The part is loaded over the retracted finger and rests on the clamp rest block "donut".



STEP TWO

The finger swings in the direction of its clamping surface with 5mm of rotational travel.



STEP THREE

The finger has 10mm of straight travel. LSFCs clamp and lock in the last 3mm.



BTM reserves the right to make changes to its literature without any prior notice. Go to www.btm-europe.de for latest version.

TABLE OF CONTENTS

NON-LOCKING MODELS



PLC25 Light Duty Pin Locating Clamp 4-5

Hole/Slot Range	6mm-12.00mm
Clamping Force	231N @ 5.5BAR (52lbf @ 80PSI)

Features

- Compact & Light Weight
- 25mm bore pneumatic cylinder
- Magnetic Position Sensing Switch Option



PLC45 Pin Locating Clamp 6-7

Hole/Slot Range	12.50mm-18.00mm
Clamping Force	578N @ 5.5BAR (130lbf @ 80PSI)

Features

- Clamps on top of a flange.



PLC63 Pin Locating Clamp 8-9

Hole/Slot Range	18.00mm-40.00mm
Clamping Force	1334N @ 5.5BAR (300lbf @ 80PSI)

Features

- Finger relief for flanged hole clearance (25mm, 30mm, 40mm)



SFC63 Hook Clamp 10-11

Hole/Slot Range	18.00mm-40.00mm
Clamping Force	1334N @ 5.5BAR (300lbf @ 80PSI)

Features

- A single clamp finger without a locating pin.

LOCKING MODELS



RLPC45 & 63 Rod-Locking Pin Locator Clamps 12-13

	RLPC45	RLPC63
Hole/Slot Range	12.50mm-18.00mm	18.00mm-40.00mm
Clamping Force	578N @ 5.5BAR (130lbf @ 80PSI)	1334N @ 5.5BAR (300lbf @ 80PSI)

Features

- Retains the part when air pressure is removed or lost.
- Finger relief for flanged hole clearance (25mm, 30mm, 40mm)



RLSFC63 Rod-Locking Hook Clamp 14-15

Hole/Slot Range	18.00mm-40.00mm
Clamping Force	1334N @ 5.5BAR (300lbf @ 80PSI)

Features

- Retains the part when air pressure is removed or lost.
- A single clamp finger without a locating pin.



LPLC38 Locking Pin Locator Clamp 16-17

Hole/Slot Range	18.00mm-40.00mm
Clamping Force	900 - 1334N @ 5.5BAR (200 - 300lbf @ 80PSI)

Features

- Maintains clamping force when locked, even if air pressure is removed or lost.
- Finger relief for flanged hole clearance (25mm, 30mm, 40mm)



LSFC38 Locking Hook Clamp 18-19

Hole/Slot Range	18.00mm-40.00mm
Clamping Force	900 - 1334N @ 5.5BAR (200 - 300lbf @ 80PSI)

Features

- Maintains clamping force when locked, even if air pressure is removed or lost.
- A single clamp finger without a locating pin.

LPLC38M Manual Locking Pin Clamp 20-21

Mounting Information 22

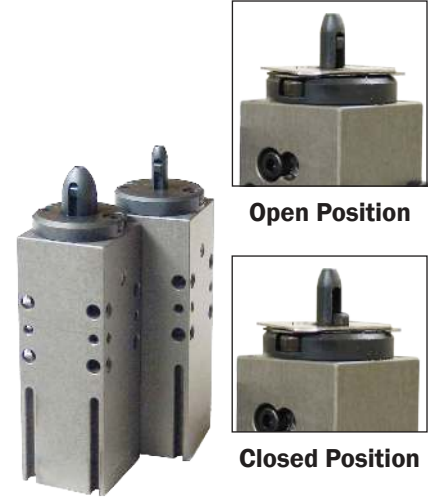
Switch Information 23

Warranty Information Back Cover

PLC25 LIGHT DUTY PIN CLAMP

A non-locking light duty pin locator clamp designed to clamp through small holes or slots.

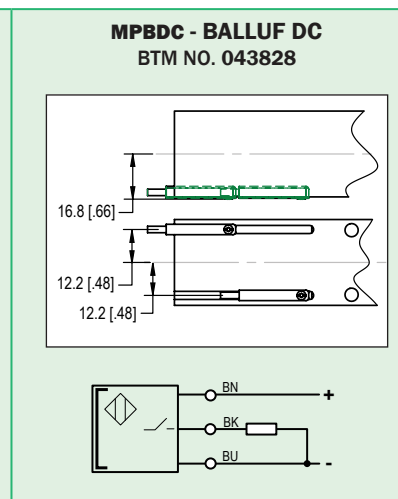
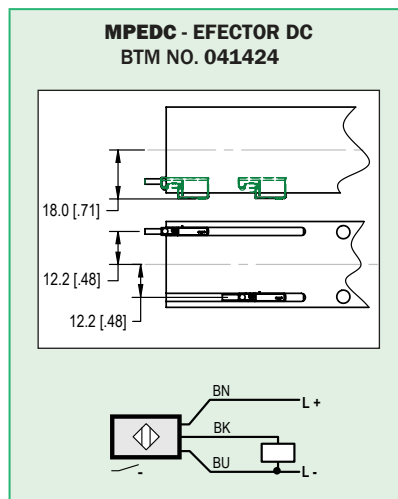
Hole/Slot Size	6mm - 12mm
Clamping Force	222N @ 5.5BAR (50lbf @ 80PSI)
Finger Travel	6mm [0.24"] Total Consists of: <ul style="list-style-type: none"> • 3mm [0.12in] rotational • 3mm [0.12in] straight line pull down stroke
Bore Diameter	25.4mm [1.00in]
Cylinder Stroke	7.0mm [0.28in]
Recommended Operating Pressure	4.0 - 6.9 BAR [60 - 100 PSI]
Approximate Weight	0.28 kg [0.62 lbs] (depending on pin size)



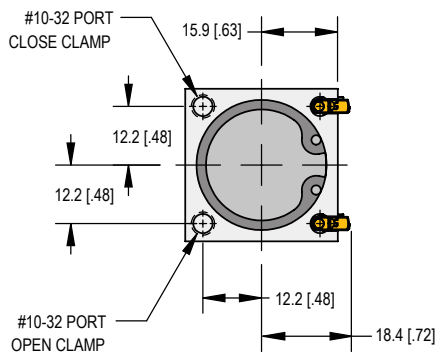
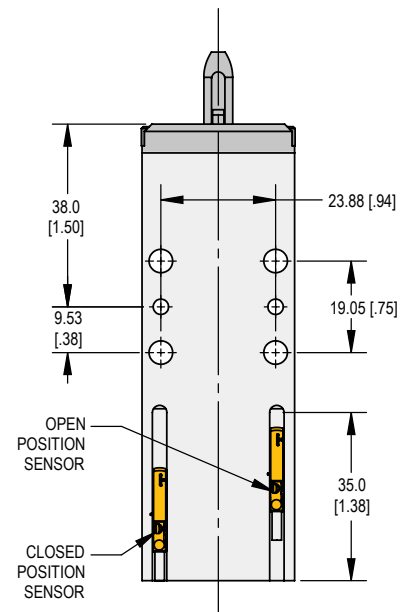
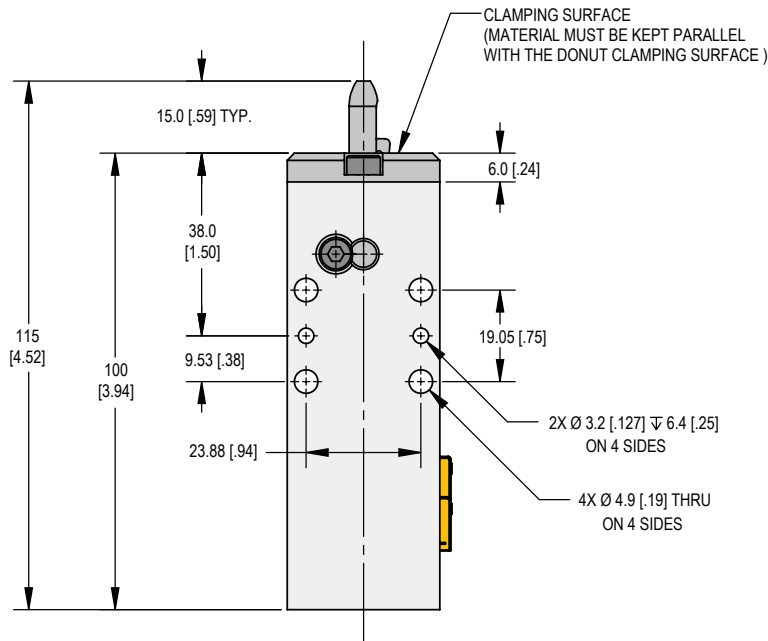
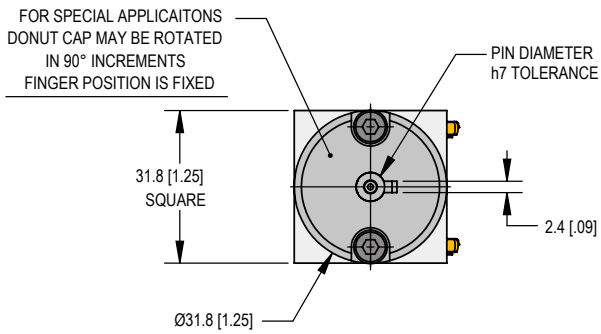
HOW TO ORDER

Email info@btm-europe.de to request a quote!

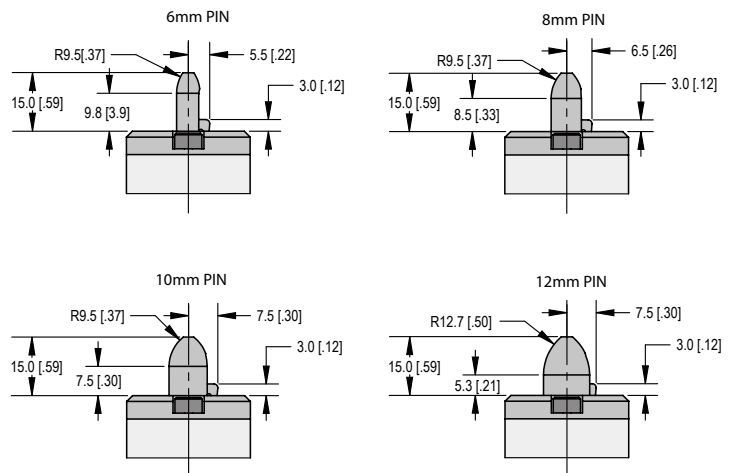
CLAMP SELECTION	PIN SELECTION	SENSING	ASSEMBLY NUMBER										
PLC25	6.00	MPEDC	PD226300A										
CLAMP SERIES	PIN DIAMETER	SENSING OPTION	INCLUDE STANDARD BTM NUMBER OR SPECIAL NUMBER										
	6.00	MPEDC = Efector DC Magnetic Position Sensing Switch (Note: 2 switches included & required)	<table border="1"> <thead> <tr> <th>Pin Dia. (h7)</th> <th>BTM Number</th> </tr> </thead> <tbody> <tr> <td>6.00</td> <td>PD226300A</td> </tr> <tr> <td>8.00</td> <td>PD226500A</td> </tr> <tr> <td>10.00</td> <td>PD226700A</td> </tr> <tr> <td>12.00</td> <td>PD226900A</td> </tr> </tbody> </table>	Pin Dia. (h7)	BTM Number	6.00	PD226300A	8.00	PD226500A	10.00	PD226700A	12.00	PD226900A
Pin Dia. (h7)	BTM Number												
6.00	PD226300A												
8.00	PD226500A												
10.00	PD226700A												
12.00	PD226900A												
	8.00	MPBDC = Balluf DC Magnetic Position Sensing Switch (Note: 2 switches included & required)											
	10.00	NS = No Switch											
	12.00												
	See p. 5												



PLC25 LIGHT DUTY PIN CLAMP



PIN DIAMETERS

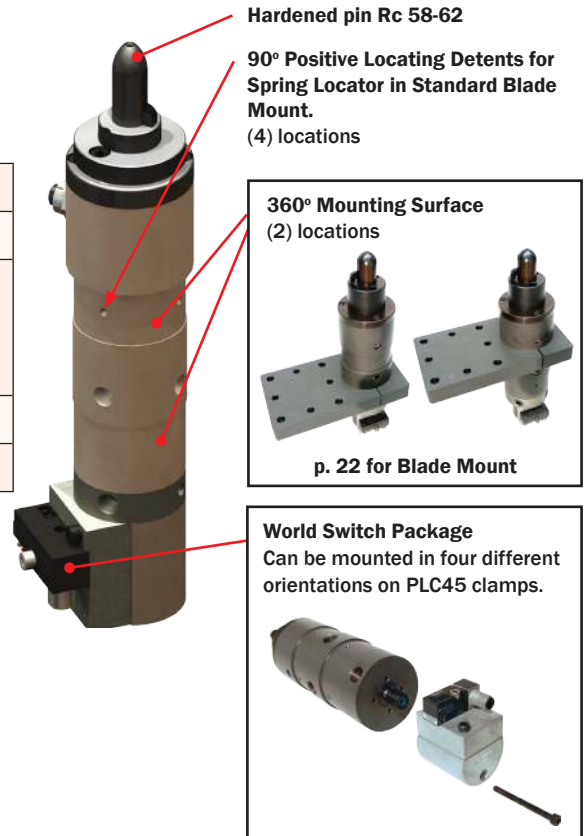


NOTE: BTM Pin Clamps can be ordered with custom designed (non-standard) pins, donuts, and/or fingers. In such instances, a SPECIAL OPTION number will be issued by BTM's Product Engineering Department. This number must be referenced when ordering a non-standard pin clamp.

PLC45 PIN CLAMP

A non-locking pin locator clamp designed to clamp through holes or slots.

Hole/Slot Size	12.5mm - 18mm
Clamping Force	578N @ 5.5BAR [130lbf @ 80PSI]
Finger Travel	15mm [0.590in] Total. Consists of: <ul style="list-style-type: none"> • 5mm [0.197in] rotational • 10mm [0.394in] straight line pull down stroke
Bore Diameter	44.5mm [1.75in]
Cylinder Stroke	15.0mm [0.59in]

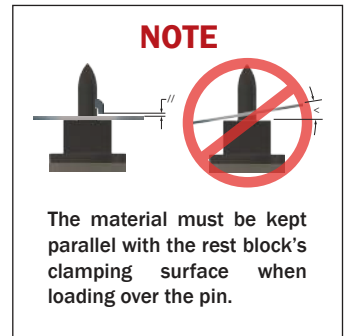
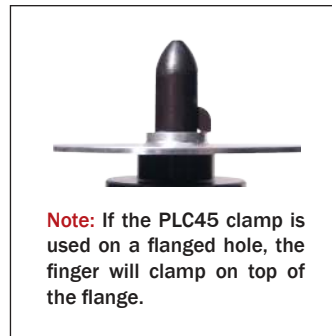
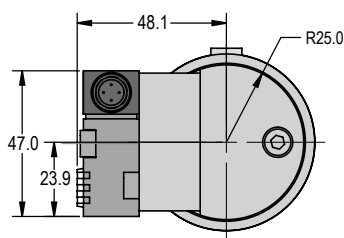
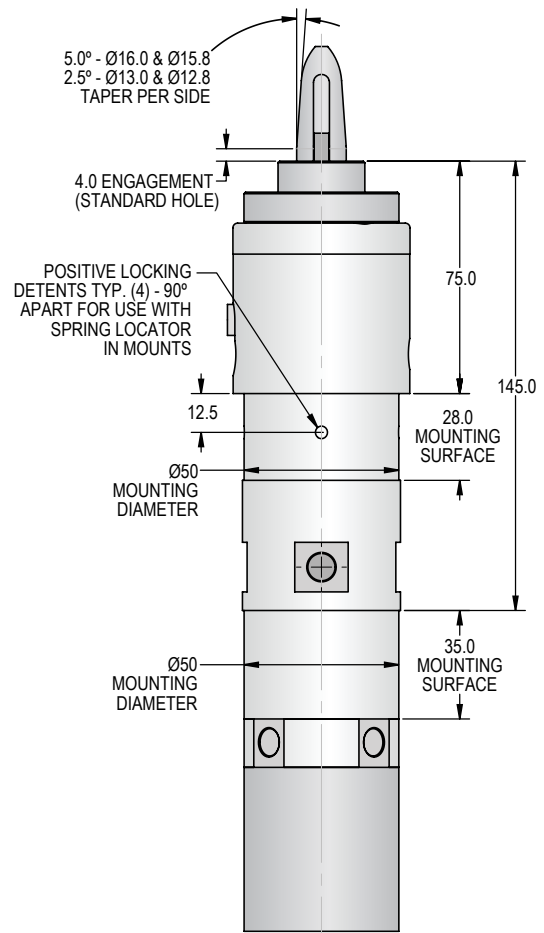
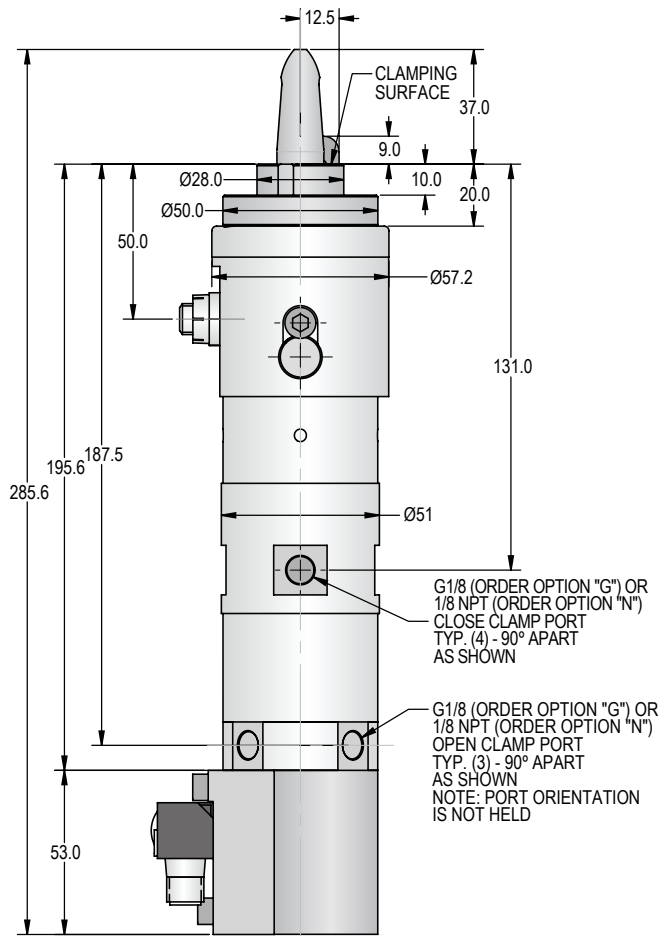


HOW TO ORDER

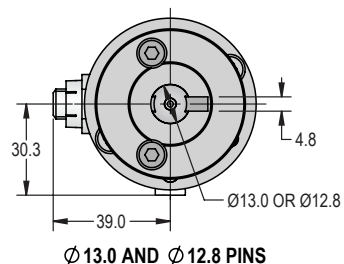
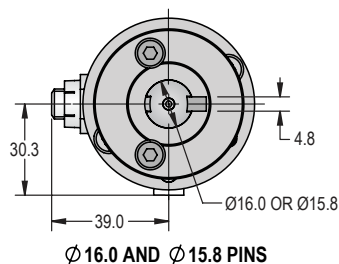
Email info@btm-europe.de to request a quote!

CLAMP SELECTION		PIN SELECTION			SENSING	SPECIAL ASSEMBLY NUMBER
PLC45	N	13.00	PT	BL	PDC	XXXXXXX
CLAMP SERIES	PORT OPTION	PIN DIAMETER		PIN STYLE	<p>NS (No Switch)</p> <p>PDC (Pepperl + Fuchs® DC) [Optional]</p> <p>TDC (Turck DC) [Optional]</p> <p>See p. 23</p> <p>Other switch brands are available. Contact BTM for details.</p>	<p>WE DO SPECIALS!</p> <p>BTM Pin Clamps can be ordered with custom designed (non-standard) pins, donuts, and/or fingers. In such cases, a SPECIAL ASSEMBLY number will be issued by BTM's Product Engineering Department. This number must be referenced when ordering a non-standard pin clamp.</p> <p>Example of a special "donut"</p> <p>Example of a special pin</p>
	N = 1/8 NPT	Diameter	Clamp Weight	PT = Tapered Pin		
	G = G1/8	12.80	1.55kg [3.41lbs]	BL = Black Oxide		
		13.00	1.55kg [3.41lbs]			
		15.80	1.56kg [3.44lbs]			
		16.00	1.56kg [3.44lbs]			
		See p.7				
		Additional pin diameters ranging from 12.5 - 18mm are available, but are not standard. Contact BTM for more information.				

PLC45 PIN CLAMP



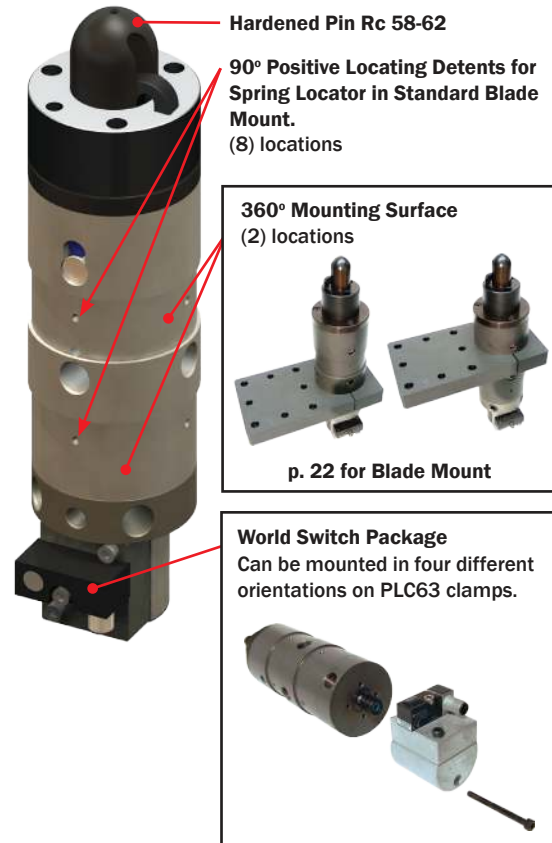
PIN DIAMETERS



PLC63 PIN CLAMP

A non-locking pin locator clamp designed to clamp through holes or slots.

Hole/Slot Size	18mm - 40mm
Clamping Force	1334N @ 5.5BAR [300lbf @ 80PSI]
Finger Travel	15mm [0.590in] Total. Consists of: <ul style="list-style-type: none"> • 5mm [0.197in] rotational • 10mm [0.394in] straight line pull down stroke
Bore Diameter	63mm [2.50in]
Cylinder Stroke	15.0mm [0.59in]



HOW TO ORDER

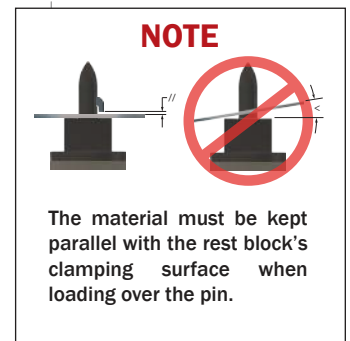
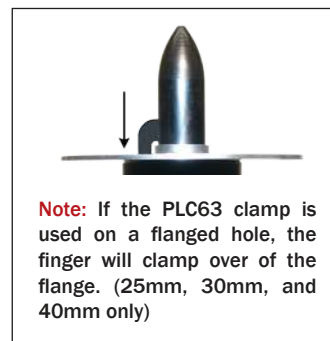
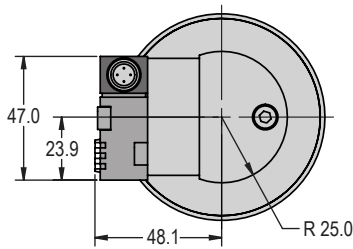
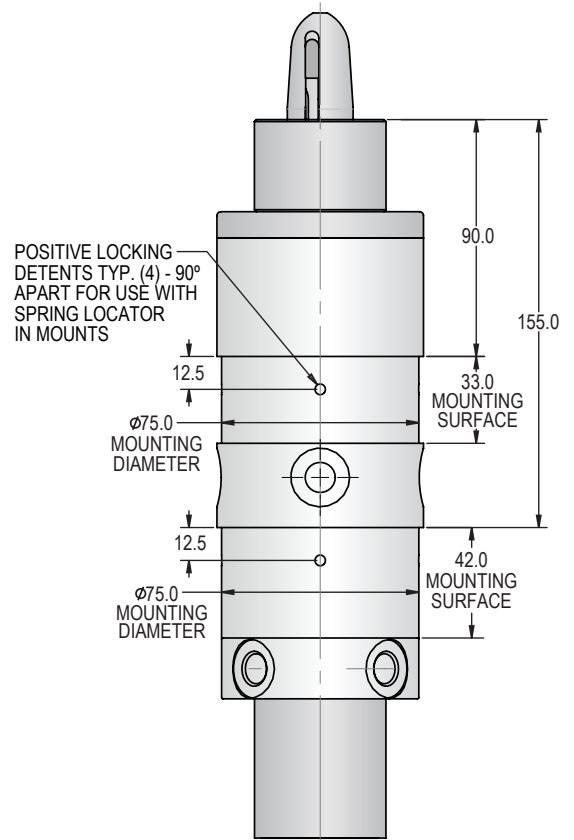
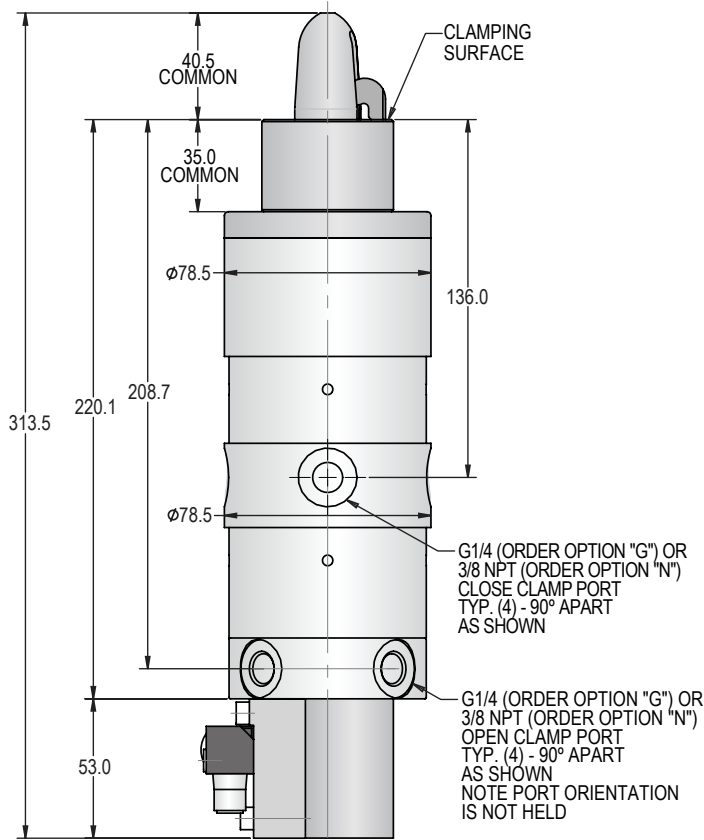
Email info@btm-europe.de to request a quote!

CLAMP SELECTION		PIN SELECTION				SENSING	SPECIAL ASSEMBLY #			
PLC63	N	20.00		PT	SH	BL	PDC	XXXXXXX		
CLAMP SERIES	PORT OPTION N = 3/8 NPT G = G1/4	PIN DIAMETER			PIN STYLE PT = Tapered Pin	HOLE TYPE		PIN COATING BL = Black Oxide	SENSING NS (No Switch) PDC (Pepperl + Fuchs® DC) [Optional] TDC (Turck DC) [Optional] See p. 23 Other switch brands are available. Contact BTM for details.	WE DO SPECIALS! BTM Pin Clamps can be ordered with custom designed (non-standard) pins, donuts, and/or fingers. In such cases, a SPECIAL ASSEMBLY number will be issued by BTM's Product Engineering Department. This number must be referenced when ordering a non-standard pin clamp. Example of a special "donut"
		Diameter	Clamp Weight	Flange Hole Option?		SH = Standard				
		19.80	3.04kg [6.70lbs]	No						
		20.00	3.04kg [6.70lbs]	No		FL = Flanged				
		24.80	3.08kg [6.80lbs]	Yes						
		25.00	3.08kg [6.80lbs]	Yes						
		29.80	3.86kg [8.52lbs]	Yes		FL only available on 25-24.8, 30-29.8, and 40-39.8mm sizes				
		30.00	3.86kg [8.52lbs]	Yes						
		34.80	3.92kg [8.65lbs]	No						
35.00	3.92kg [8.65lbs]	No								
39.80	3.99kg [8.79lbs]	Yes								
40.00	3.99kg [8.79lbs]	Yes								

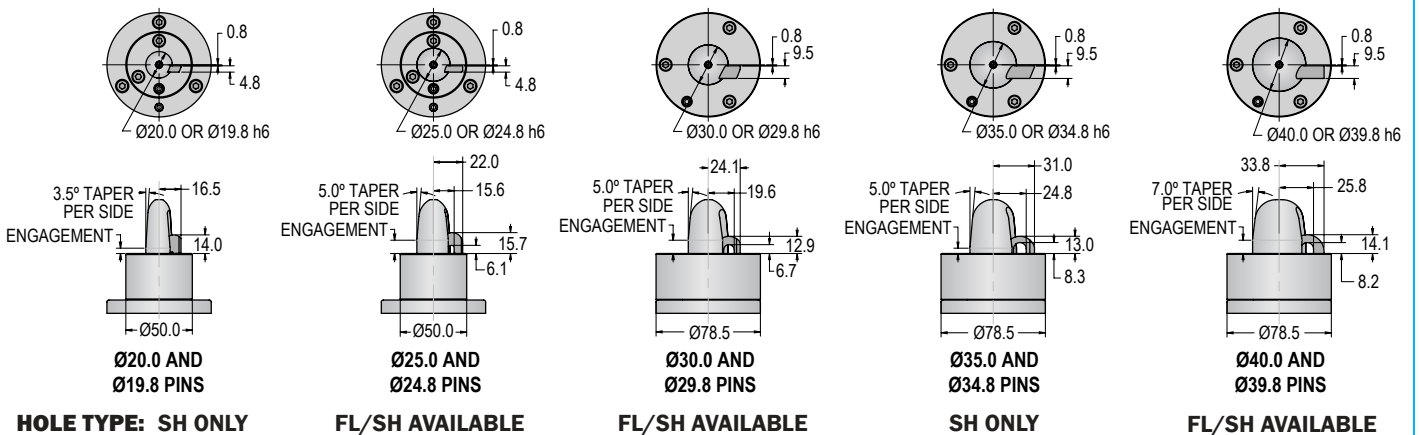
See p.9

Additional pin diameters are available, but are not standard. Contact BTM for more information.

PLC63 PIN CLAMP



PIN DIAMETERS



SFC63 HOOK CLAMP

A non-locking single finger clamp designed to clamp through holes or slots.

Hole/Slot Size	18mm - 40mm
Clamping Force	1334N @ 5.5BAR [300lbf @ 80PSI]
Finger Travel	15mm [0.590in] Total. Consists of: <ul style="list-style-type: none"> • 5mm [0.197in] rotational • 10mm [0.394in] straight line pull down stroke
Bore Diameter	63mm [2.50in]
Cylinder Stroke	15.0mm [0.59in]



90° Positive Locating Detents for Spring Locator in Standard Blade Mount.
(8) locations



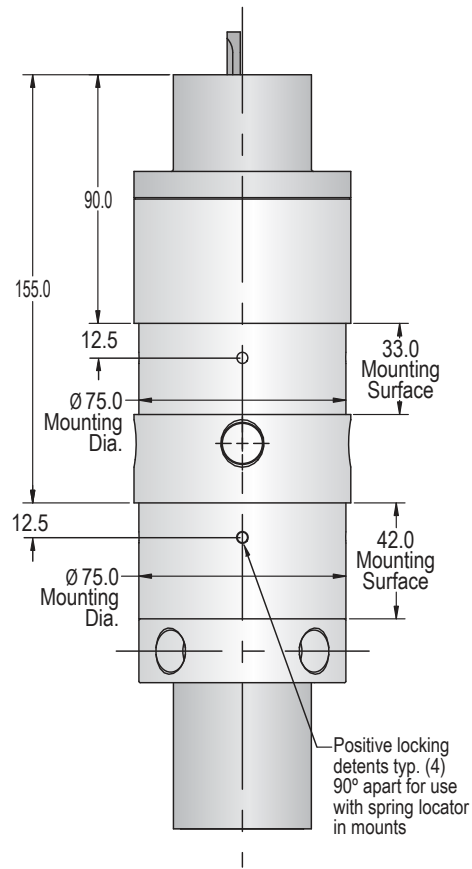
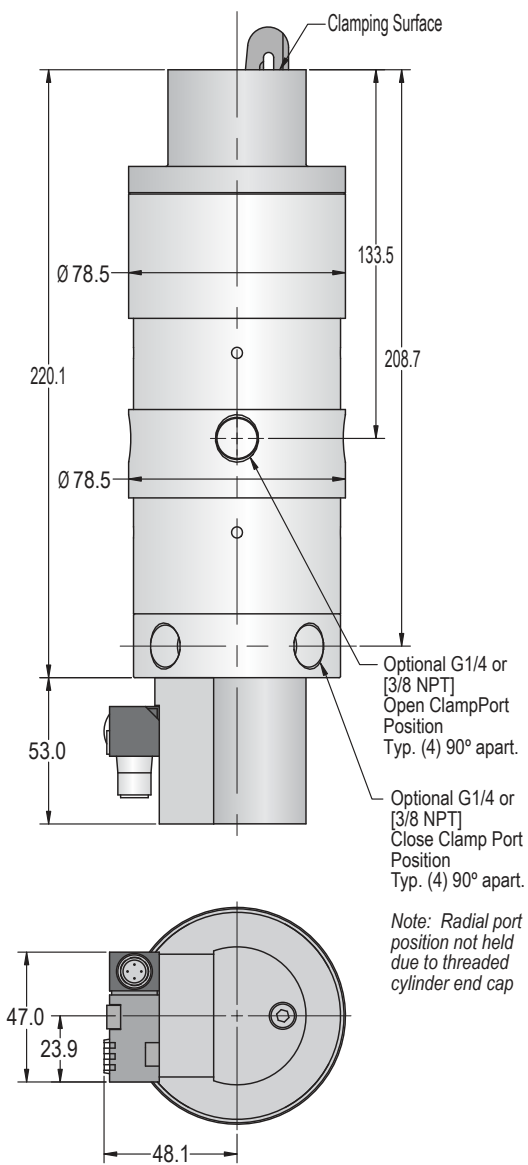
HOW TO ORDER

Email info@btm-europe.de to request a quote!

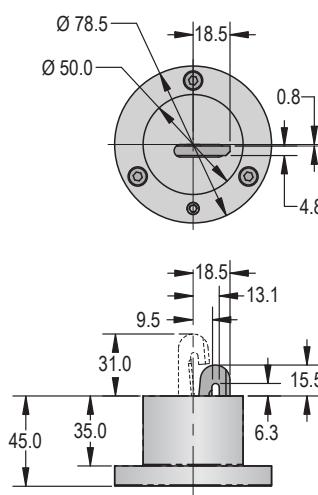
CLAMP SELECTION		HOLE/SLOT RANGE	SENSING	SPECIAL ASSEMBLY NUMBER												
SFC63	N	40-30	PDC	XXXXXXX												
CLAMP SERIES	PORT OPTION	<table border="1"> <thead> <tr> <th>Diameter</th> <th>Clamp Weight</th> </tr> </thead> <tbody> <tr> <td>29-18</td> <td>2.70kg [5.96lbs]</td> </tr> <tr> <td>40-30</td> <td>3.52kg [7.77lbs]</td> </tr> </tbody> </table> <p>See p.11</p>	Diameter	Clamp Weight	29-18	2.70kg [5.96lbs]	40-30	3.52kg [7.77lbs]	<table border="1"> <tbody> <tr> <td></td> <td>NS (No Switch)</td> </tr> <tr> <td></td> <td>PDC (Pepperl + Fuchs® DC) [Optional]</td> </tr> <tr> <td></td> <td>TDC (Turck DC) [Optional]</td> </tr> </tbody> </table> <p>See p. 23</p>		NS (No Switch)		PDC (Pepperl + Fuchs® DC) [Optional]		TDC (Turck DC) [Optional]	<p>WE DO SPECIALS!</p> <p>BTM Single Finger (Hook) Clamps can be ordered with custom designed (non-standard) donuts, and/or fingers. In such cases, a SPECIAL ASSEMBLY number will be issued by BTM's Product Engineering Department. This number must be referenced when ordering a non-standard single finger (hook) clamp.</p> <p>Example of a special "donut"</p>
Diameter	Clamp Weight															
29-18	2.70kg [5.96lbs]															
40-30	3.52kg [7.77lbs]															
	NS (No Switch)															
	PDC (Pepperl + Fuchs® DC) [Optional]															
	TDC (Turck DC) [Optional]															

Other switch brands are available.
Contact BTM for details.

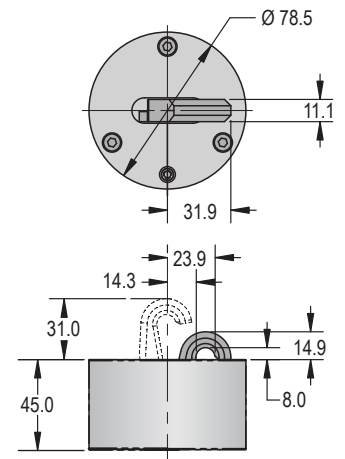
SFC63 HOOK CLAMP



HOLE/SLOT RANGE



29-18 HOLE/SLOT RANGE

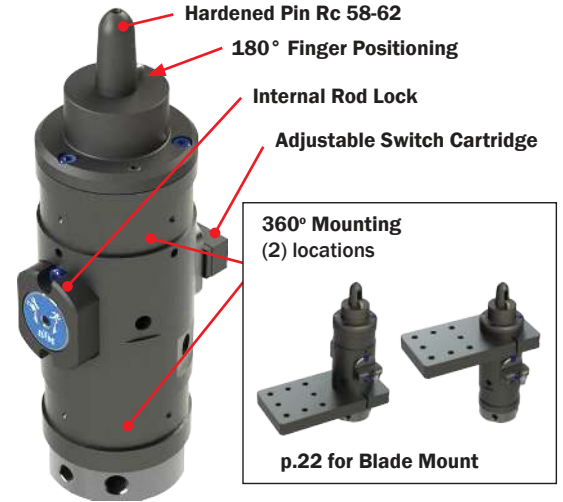


40-30 HOLE/SLOT RANGE

RLPC ROD LOCKING PIN CLAMP

RLPC clamps may be ordered with a rod locking feature, allowing the clamp to retain a part when air pressure is removed/lost. However, clamping force will not be maintained. If you need to maintain clamping force after air pressure is removed/lost, please see our LPLC or LSFC.

	RLPC45	RLPC63
Hole/Slot Size	12.5mm - 18mm	18mm - 40mm
Clamping Force	578N @ 5.5BAR [130lbf @ 80PSI]	1334N @ 5.5BAR [300lbf @ 80PSI]
Finger Travel	15mm [0.590in] Total. Consists of: <ul style="list-style-type: none"> • 5mm [0.197in] rotational • 10mm [0.394in] straight line pull down stroke 	
Bore Diameter	45mm [1.77in]	63mm [2.50in]
Cylinder Stroke	15mm [0.59in]	



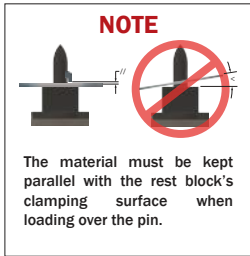
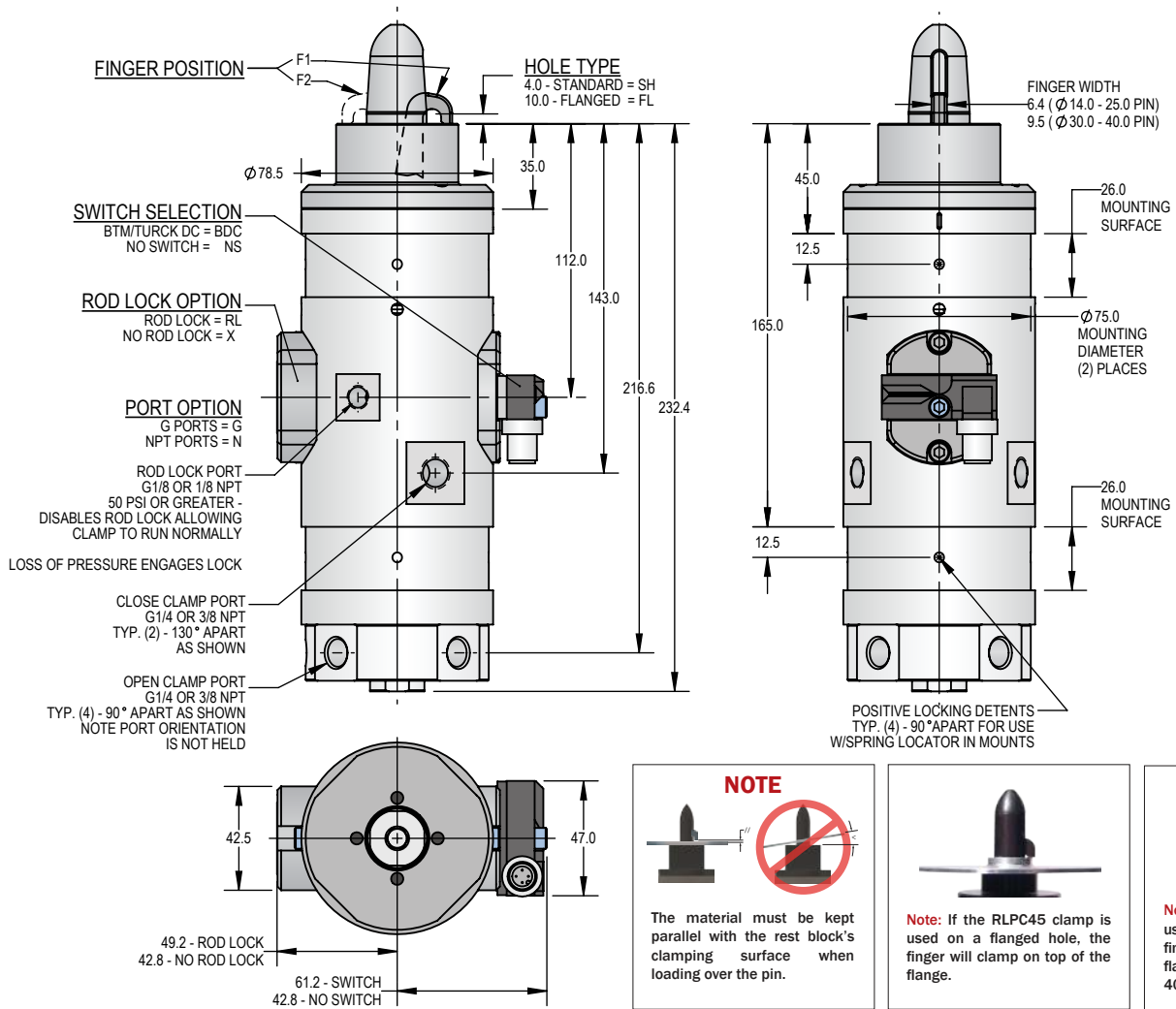
HOW TO ORDER

Email info@btm-europe.de to request a quote!

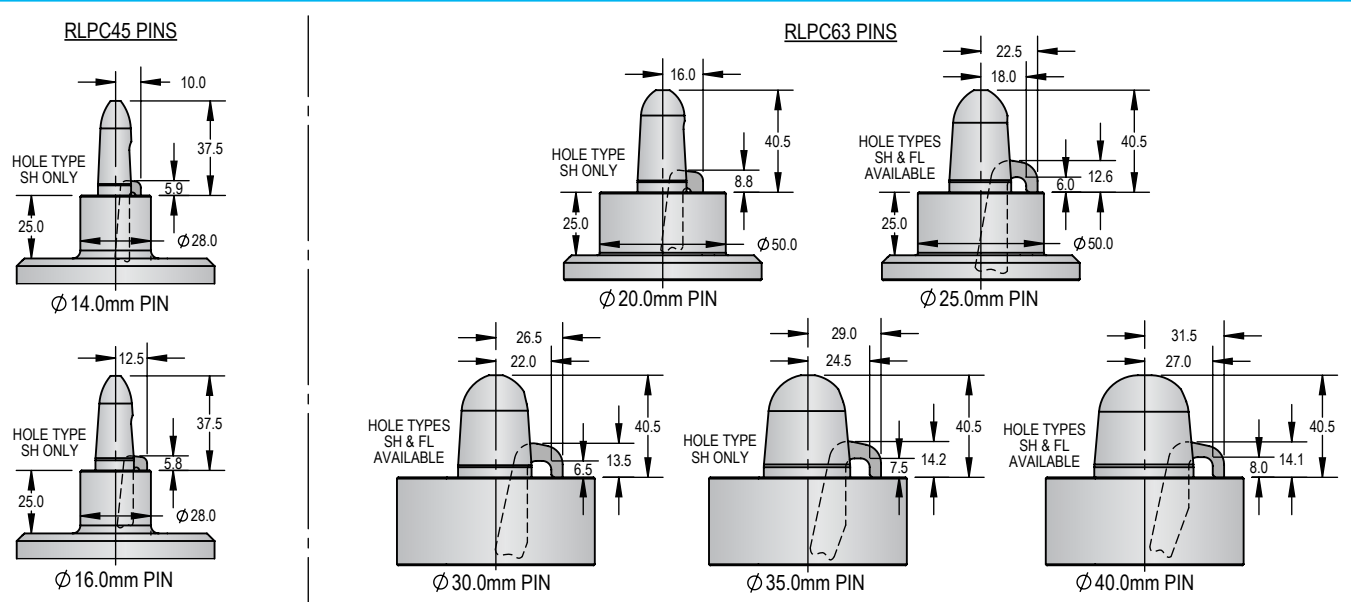
CLAMP SELECTION			PIN SELECTION				SENSING	ROD LOCK	SPECIAL ASSEMBLY NUMBER		
RLPC	63	G	40.00				SH	F1	BDC	RL	XXXXXXX
CLAMP SERIES	CLAMP SIZE	PORT OPTION	PIN DIAMETER				HOLE TYPE	FINGER POSITION	SENSING	ROD LOCK	<p>We Do Specials!</p> <p>BTM Pin Clamps can be ordered with custom designed (non-standard) pins, donuts, and/or fingers. In such cases, a SPECIAL ASSEMBLY number will be issued by BTM's Product Engineering Department. This number must be referenced when ordering a non-standard pin clamp.</p> <p>Example of a special "donut"</p>
	45	N = 3/8 NPT	45	12.80	3.2kg [7.04lbs]	No	SH = Standard	F1	NS (No Switch)	NL (No Rod Lock)	
	63	G = G1/4		13.00	3.2kg [7.05lbs]	No					
			14.00	3.2kg [7.06lbs]	No		If no finger position is specified, F1 will be default.				
			15.80	3.2kg [7.08lbs]	No						
			16.00	3.2kg [7.08lbs]	No		FL = Flanged				
			19.80	3.4kg [7.50lbs]	No						
			20.00	3.4kg [7.51lbs]	No		FL only available on 30-23, and 40-38mm sizes				
			24.80	3.5kg [7.61lbs]	Yes						
			25.00	3.5kg [7.62lbs]	Yes						
			29.80	4.0kg [8.74lbs]	Yes						
			30.00	4.0kg [8.75lbs]	Yes						
			34.80	4.0kg [8.87lbs]	No						
			35.00	4.0kg [8.88lbs]	No						
			39.80	4.1kg [9.03lbs]	Yes						
			40.00	4.1kg [9.04lbs]	Yes						
			See p. 13								

Additional pin diameters are available, but are not standard. Contact BTM for more information.

RLPC ROD LOCKING PIN CLAMP



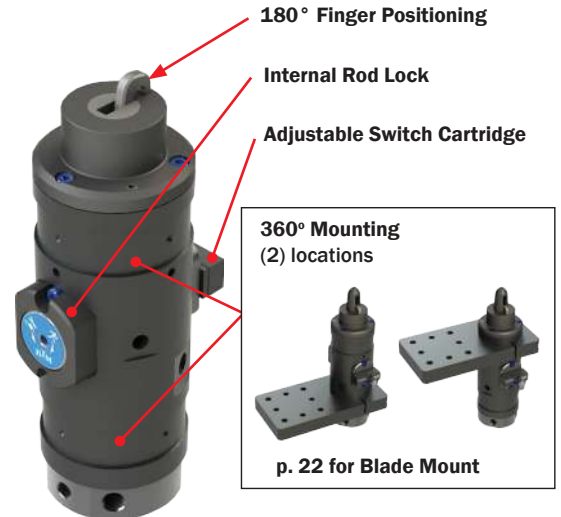
PIN DIAMETERS



RLSFC63 ROD LOCKING HOOK CLAMP

RLSFC clamps may be ordered with a rod locking feature, allowing the clamp to retain a part when air pressure is removed/lost. However, clamping force will not be maintained. If you need to maintain clamping force after air pressure is removed/lost, please see our LPLC or LSFC.

Hole/Slot Size	18mm - 40mm
Clamping Force	1334N @ 5.5BAR [300lbf @ 80PSI]
Finger Travel	15mm [0.590in] Total. Consists of: <ul style="list-style-type: none"> • 5mm [0.197in] rotational • 10mm [0.394in] straight line pull down stroke
Bore Diameter	63mm [2.50in]
Cylinder Stroke	15mm [0.59in]

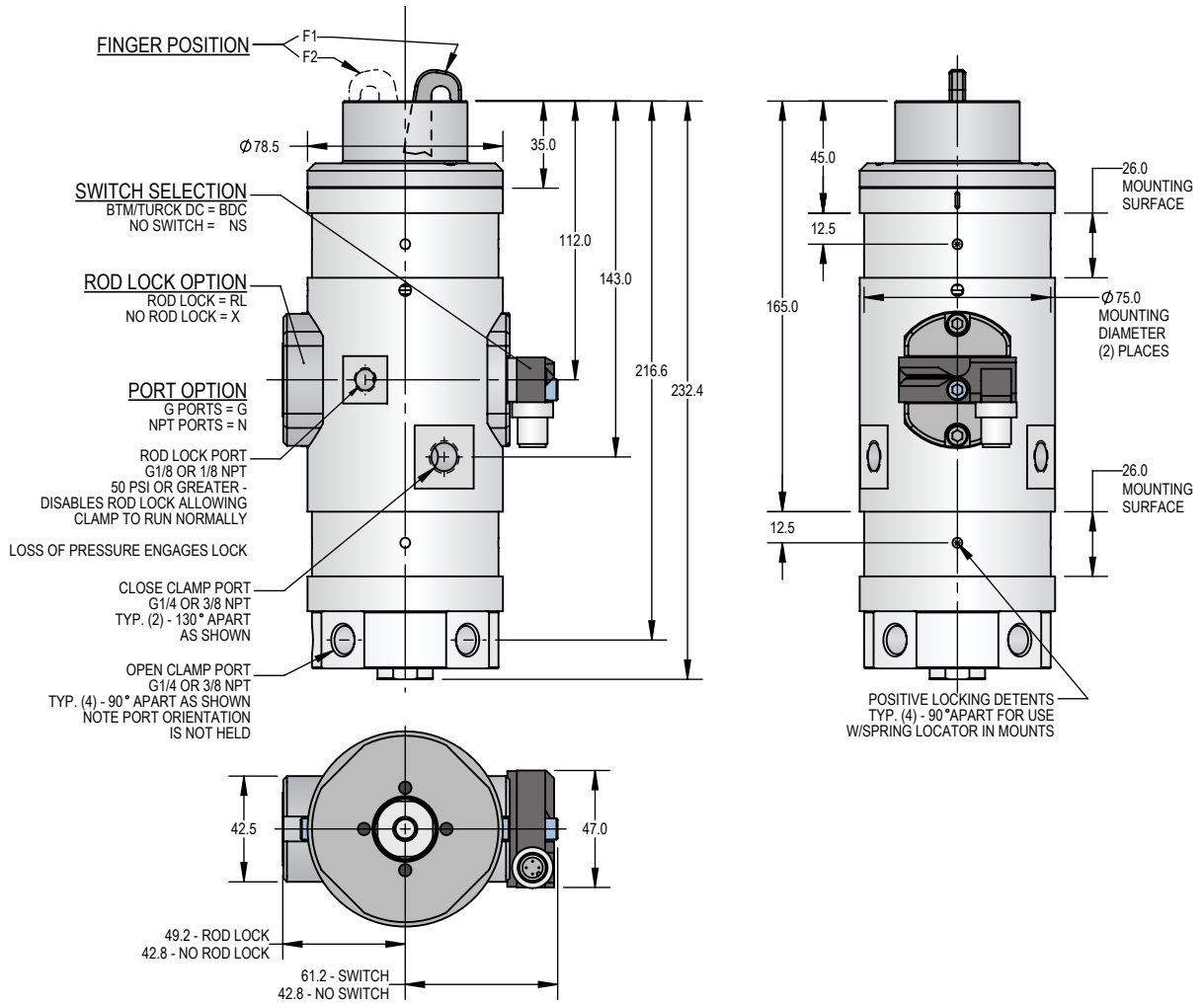


HOW TO ORDER

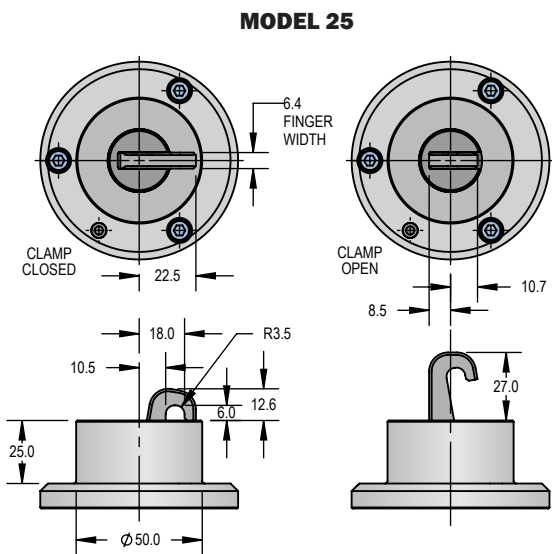
Email info@btm-europe.de to request a quote!

CLAMP SELECTION			MODEL SELECTION			SENSING	ROD LOCK	SPECIAL ASSEMBLY #							
RLSFC	63	G	25		F1	BDC	RL	XXXXXXXX							
CLAMP SERIES	CLAMP SIZE	PORT OPTION	MODEL		FINGER POSITION			WE DO SPECIALS! BTM Pin Clamps can be ordered with custom designed (non-standard) pins, donuts, and/or fingers. In such cases, a SPECIAL ASSEMBLY number will be issued by BTM's Product Engineering Department. This number must be referenced when ordering a non-standard pin clamp.							
	63	N = 3/8 NPT G = G1/4	<table border="1"> <thead> <tr> <th></th> <th>Hole Diameter</th> <th>Clamp Weight</th> </tr> </thead> <tbody> <tr> <td>25</td> <td>30-23</td> <td>3.4kg [7.42lbs]</td> </tr> <tr> <td>40</td> <td>40-36</td> <td>3.8kg [8.46lbs]</td> </tr> </tbody> </table> See p. 15		Hole Diameter	Clamp Weight	25		30-23	3.4kg [7.42lbs]	40	40-36	3.8kg [8.46lbs]	F1 F2	
	Hole Diameter	Clamp Weight													
25	30-23	3.4kg [7.42lbs]													
40	40-36	3.8kg [8.46lbs]													
			<i>Other Sizes can be accommodated with specials. Contact BTM for more information.</i>		<i>If no finger position is specified, F1 will be default.</i>	See p. 23		<p>Example of a special "donut"</p>							

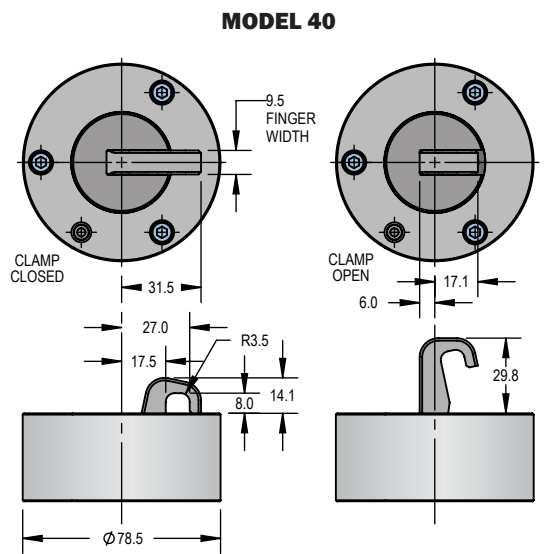
RLSFC63 ROD LOCKING HOOK CLAMP



HOLE/SLOT RANGE



30-23 HOLE/SLOT RANGE

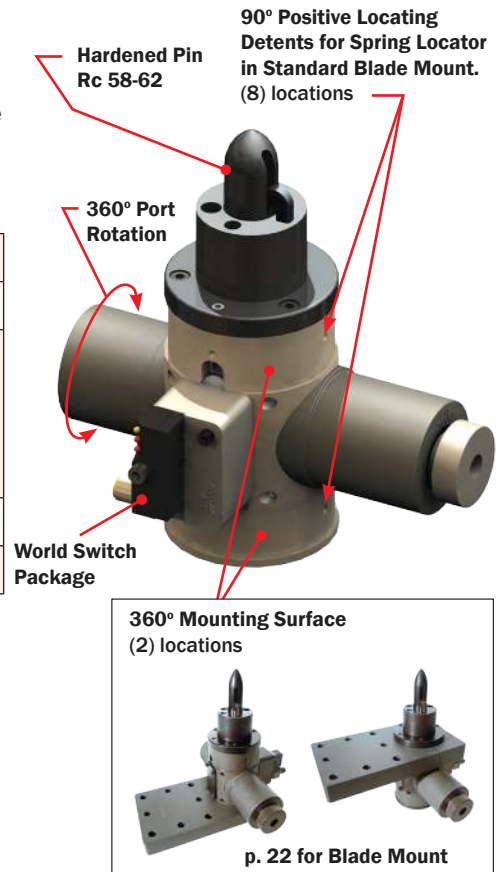


40-36 HOLE/SLOT RANGE

LPLC38 LOCKING PIN CLAMP

A locking pin locator clamp designed to stay locked *and* maintain clamping force even if air pressure is removed/lost.

Hole/Slot Size	18mm - 40mm
Clamping Force	890N - 1334N @ 5.5BAR [200 - 300lbf @ 80PSI]
Finger Travel	15mm [0.590in] Total. Consists of: <ul style="list-style-type: none"> • 5mm [0.197in] rotational • 10mm [0.394in] straight line pull down stroke • 3mm [0.118in] locking range (from clamping surface)
Bore Diameter	38mm [1.50in]
Cylinder Stroke	38.5mm [1.52in]

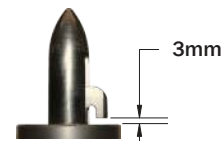
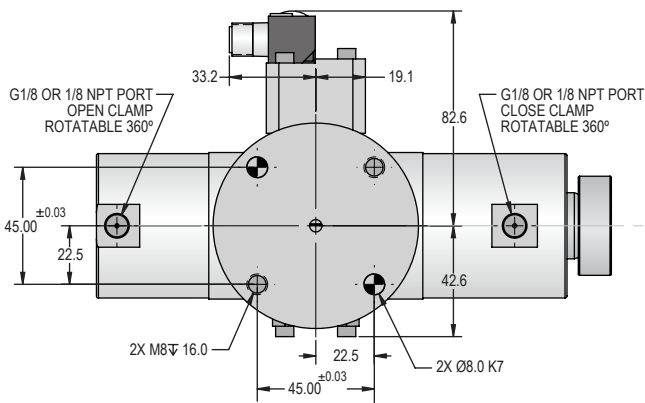
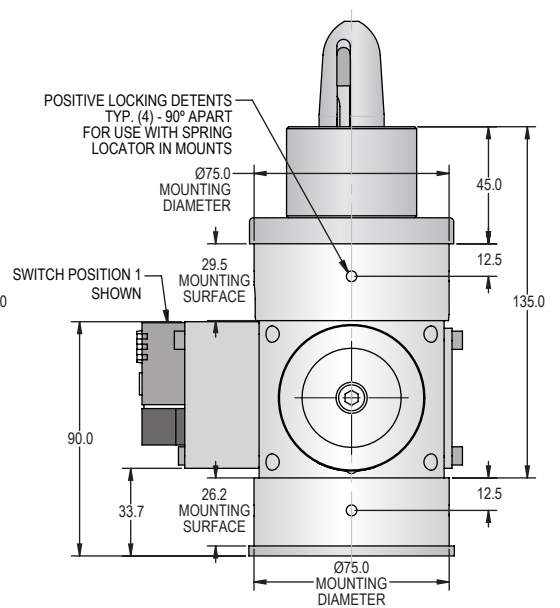
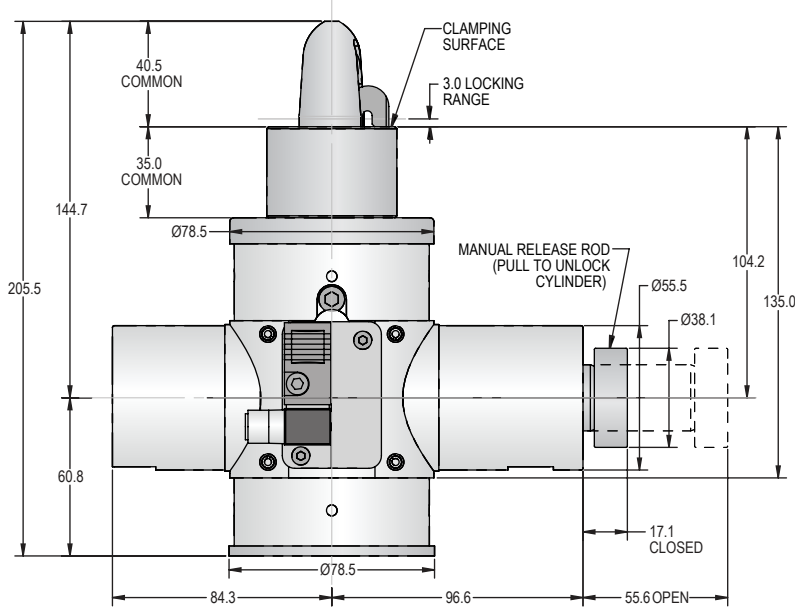


HOW TO ORDER

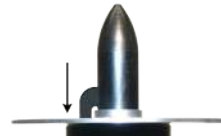
Email info@btm-europe.de to request a quote!

CLAMP SELECTION		PIN SELECTION				SENSING		SPECIAL ASSEMBLY NUMBER				
LPLC38	N	20.00			PT	SH	BL	PDC	1	XXXXXXX		
CLAMP SERIES	PORT OPTION N = 1/8 NPT G = G1/8	PIN DIAMETER			PIN STYLE PT = Tapered Pin	HOLE TYPE SH = Standard		PIN COATING BL = Black Oxide	SWITCH OPTION		SWITCH POSITION	WE DO SPECIALS! BTM Pin Clamps can be ordered with custom designed (non-standard) pins, donuts, and/or fingers. In such cases, a SPECIAL ASSEMBLY number will be issued by BTM's Product Engineering Department. This number must be referenced when ordering a non-standard pin clamp.
		Diameter	Clamp Weight	Flange Hole Option?		4.0 ENGAGEMENT			NS (No Switch)	1 (Front)		
		19.80	3.54kg [7.81lbs]	No					PDC (Pepperl + Fuchs® DC) [Optional]	2 (Back)		
		20.00	3.54kg [7.81lbs]	No		FL = Flanged			TDC (Turck DC) [Optional]			
		24.80	3.59kg [7.91lbs]	Yes		4.0 ENGAGEMENT						
		25.00	3.59kg [7.91lbs]	Yes								
		29.80	4.33kg [9.54lbs]	Yes		FL only available on 25-24.8, 30-29.8, and 40-39.8mm sizes						
		30.00	4.33kg [9.54lbs]	Yes								
		34.80	4.40kg [9.69lbs]	No								
		35.00	4.40kg [9.69lbs]	No								
39.80	4.46kg [9.83lbs]	Yes										
40.00	4.46kg [9.83lbs]	Yes										
		See p.17 for Dimension Information					See p. 23					
		Additional pin diameters are available, but are not standard. Contact BTM for more information.					Other switch brands are available. Contact BTM for details.					

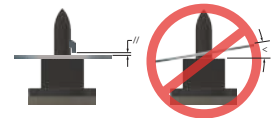
LPLC38 LOCKING PIN CLAMP



The locking feature of the LPLC38 clamp engages in the last 3mm of the finger stroke.

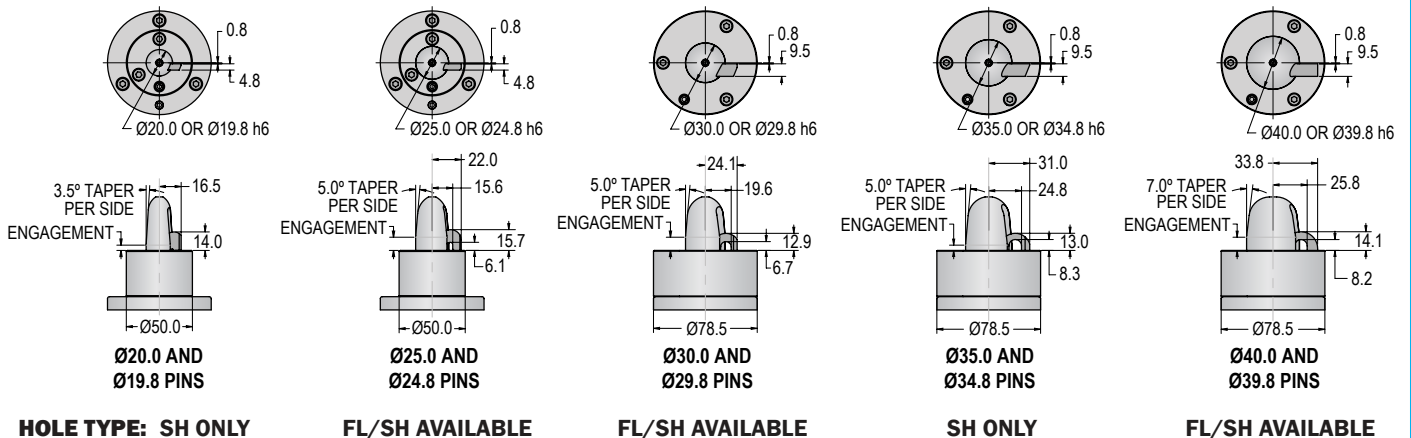


Note: If the LPLC38 clamp is used on a flanged hole, the finger will clamp over of the flange. (25mm, 30mm, and 40mm only)



NOTE
The material must be kept parallel with the rest block's clamping surface when loading over the pin.

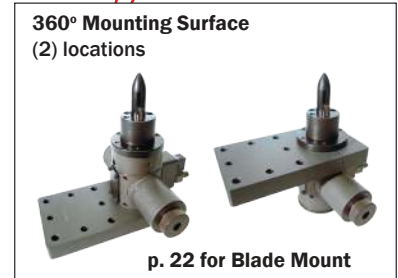
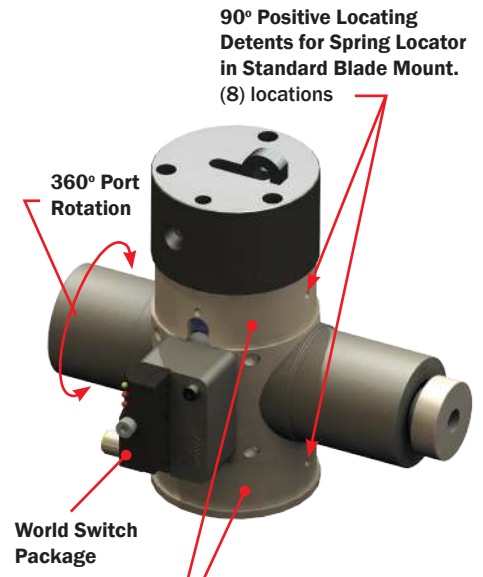
PIN DIAMETERS



LSFC38 LOCKING HOOK CLAMP

A locking single finger clamp designed to stay locked *and* maintain clamping force even if air pressure is removed/lost.

Hole/Slot Size	18mm - 40mm
Clamping Force	890N - 1334N @ 5.5BAR [200 - 300lbf @ 80PSI]
Finger Travel	15mm [0.590in] Total. Consists of: <ul style="list-style-type: none"> • 5mm [0.197in] rotational • 10mm [0.394in] straight line pull down stroke • 3mm [0.118in] locking range (from clamping surface)
Bore Diameter	38mm [1.50in]
Cylinder Stroke	38.5mm [1.52in]



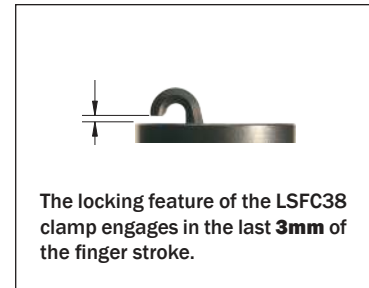
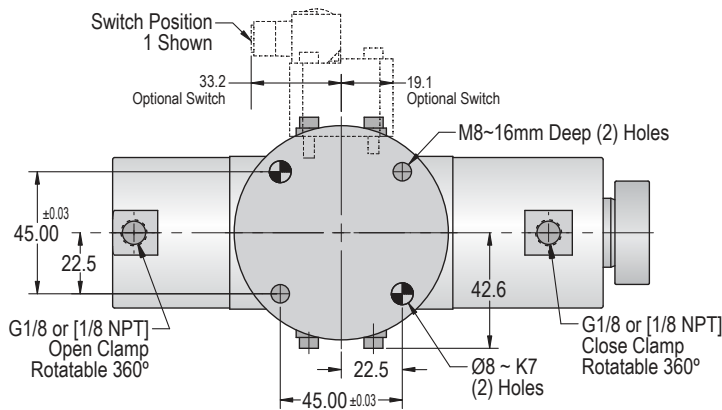
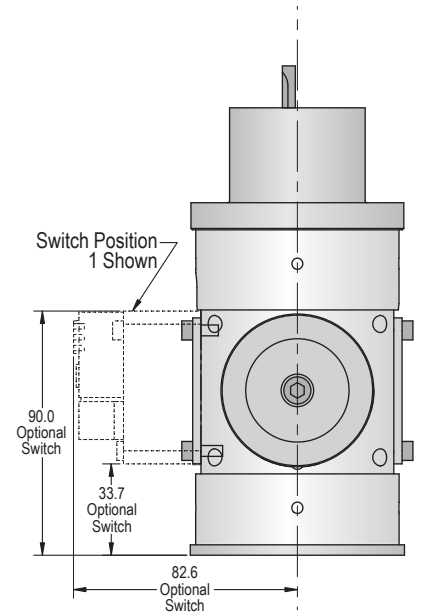
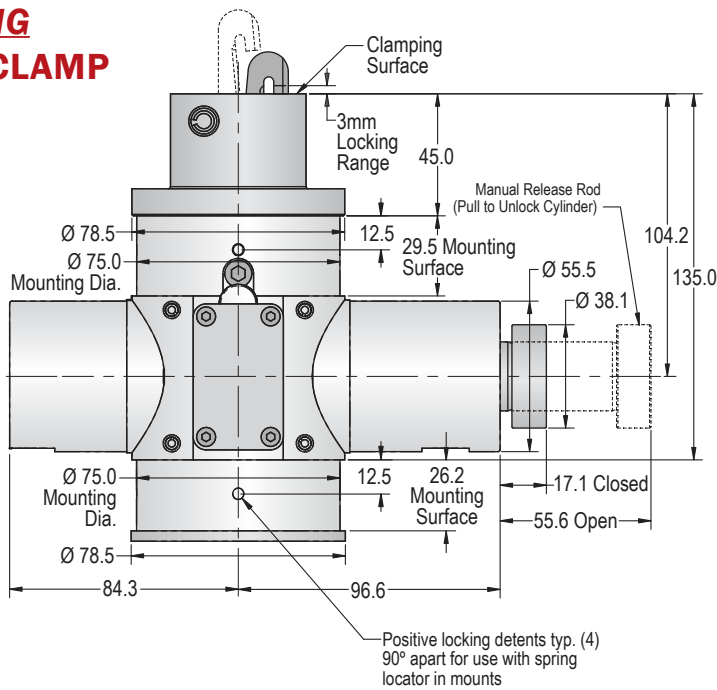
HOW TO ORDER

Email info@btm-europe.de to request a quote!

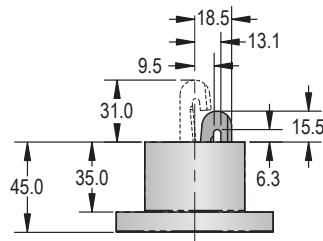
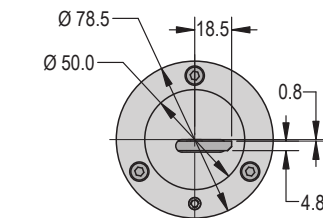
CLAMP SELECTION		HOLE/SLOT RANGE		SENSING		SPECIAL ASSEMBLY NUMBER
LSFC38	N	40-30		PDC	1	XXXXXXX
CLAMP SERIES	PORT OPTION	Diameter	Clamp Weight	SWITCH OPTION	SWITCH POSITION	WE DO SPECIALS! BTM Single Finger (Hook) Clamps can be ordered with custom designed (non-standard) donuts, and/or fingers. In such cases, a SPECIAL ASSEMBLY number will be issued by BTM's Product Engineering Department. This number must be referenced when ordering a non-standard single finger (hook) clamp. <div style="text-align: center;"> <p>Example of a special "donut"</p> </div>
	N = 1/8 NPT	29-18	3.29kg [7.25lbs]	NS (No Switch)	NS (No Switch)	
	G = G1/8	40-30	3.96kg [8.72lbs]	PDC (Pepperl + Fuchs® DC) [Optional]	1 (Front)	
		See p.19 for Dimension Information		TDC (Turck DC) [Optional]	2 (Back)	

Other switch brands are available. Contact **BTM** for details.

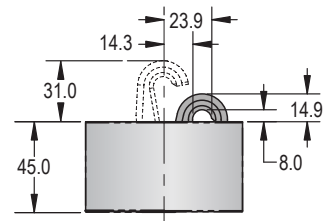
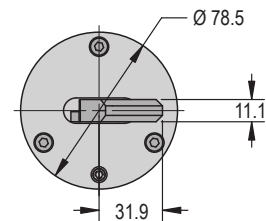
**LSFC38
LOCKING
HOOK CLAMP**



HOLE/SLOT RANGE



29-18 HOLE RANGE

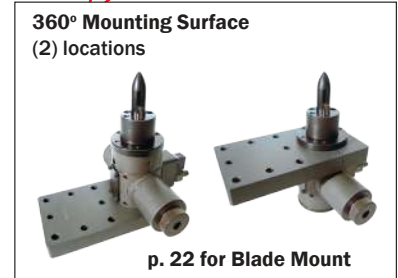
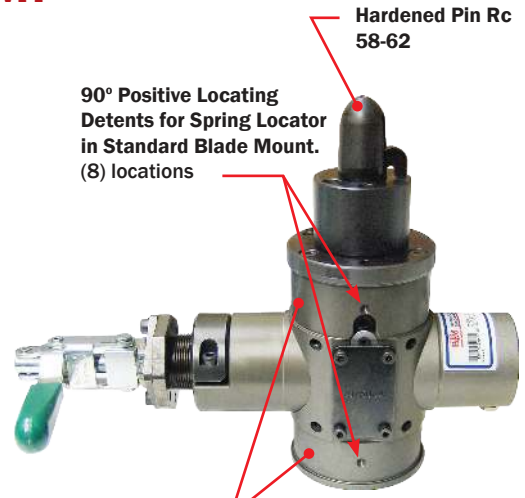


40-30 HOLE RANGE

LPLC38M LOCKING MANUAL PIN CLAMP


A locking, manually operated pin locator clamp designed to maintain clamping force in the closed (locked) position.

Hole/Slot Size	18mm - 40mm
Clamping Force	1112N [250lbf]
Finger Travel	15mm [0.590in] Total. Consists of: <ul style="list-style-type: none"> • 5mm [0.197in] rotational • 10mm [0.394in] straight line pull down stroke • 3mm [0.118in] locking range (from clamping surface)

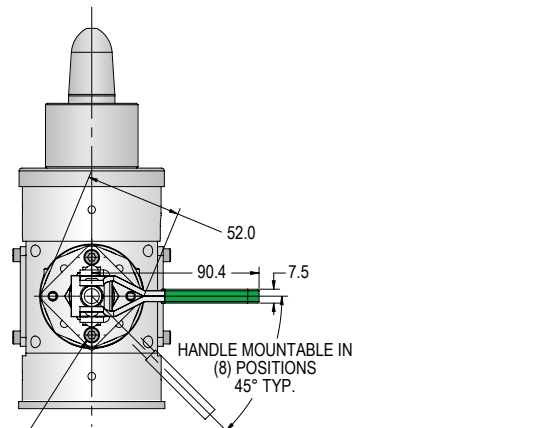
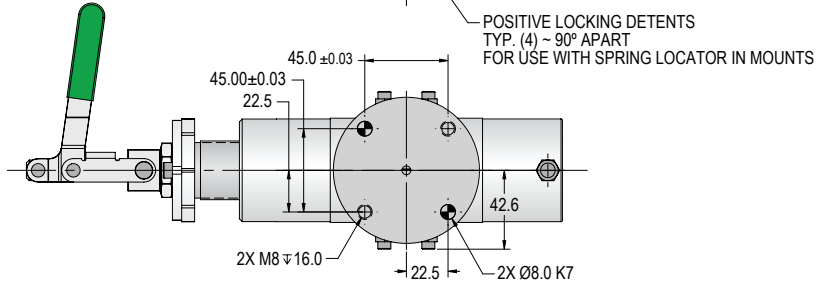
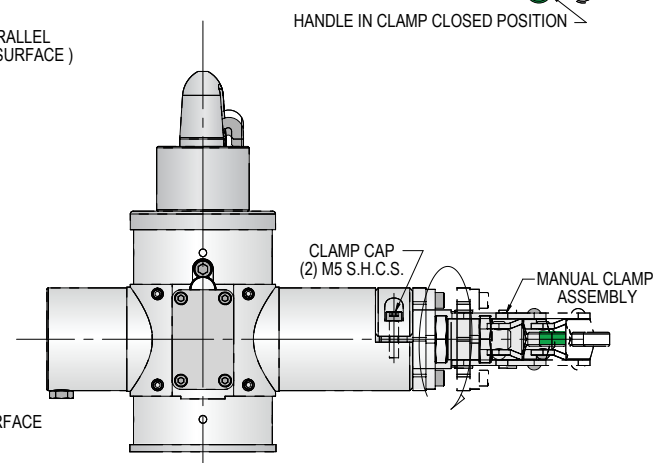
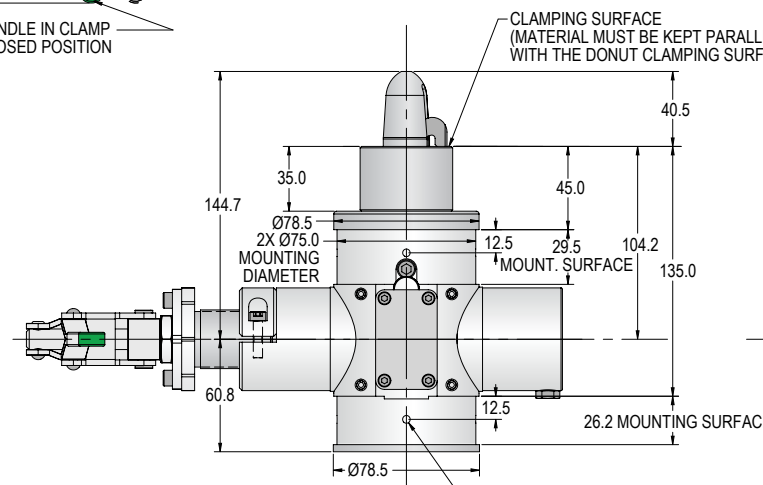
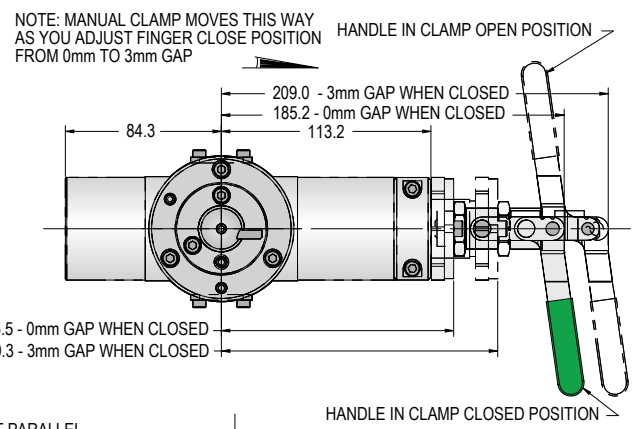
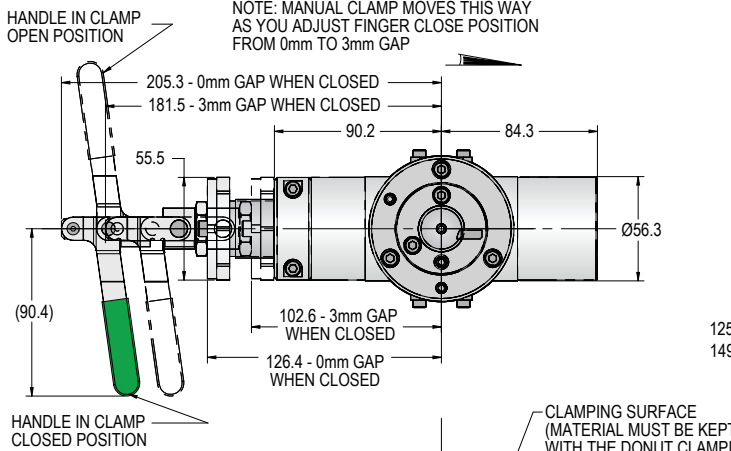


HOW TO ORDER

Email info@btm-europe.de to request a quote!

CLAMP SELECTION	HANDLE LOCATION	PIN SELECTION				SPECIAL ASSEMBLY #																			
LPLC38M	L	25.00	PT	SH	BL	XXXXXXX																			
CLAMP SERIES	L = Left Side of Clamp	PIN DIAMETER		PIN STYLE	HOLE TYPE	PIN COATING	WE DO SPECIALS! BTM Pin Clamps can be ordered with custom designed (non-standard) pins, donuts, and/or fingers. In such cases, a SPECIAL ASSEMBLY number will be issued by BTM's Product Engineering Department. This number must be referenced when ordering a non-standard pin clamp.																		
	R = Right Side of Clamp	<table border="1"> <thead> <tr> <th>Diameter</th> <th>Clamp Weight</th> <th>Flange Hole Option?</th> </tr> </thead> <tbody> <tr> <td>24.80</td> <td>3.59kg [7.91lbs]</td> <td>Yes</td> </tr> <tr> <td>25.00</td> <td>3.59kg [7.91lbs]</td> <td>Yes</td> </tr> <tr> <td>34.80</td> <td>4.40kg [9.69lbs]</td> <td>No</td> </tr> <tr> <td>35.00</td> <td>4.40kg [9.69lbs]</td> <td>No</td> </tr> <tr> <td>39.80</td> <td>4.46kg [9.83lbs]</td> <td>Yes</td> </tr> <tr> <td>40.00</td> <td>4.46kg [9.83lbs]</td> <td>Yes</td> </tr> </tbody> </table> <p>See p.21</p> <p><i>Additional pin diameters are available, but are not standard. Contact BTM for more information.</i></p>	Diameter	Clamp Weight	Flange Hole Option?	24.80		3.59kg [7.91lbs]	Yes	25.00	3.59kg [7.91lbs]	Yes	34.80	4.40kg [9.69lbs]	No	35.00	4.40kg [9.69lbs]	No	39.80	4.46kg [9.83lbs]	Yes	40.00	4.46kg [9.83lbs]	Yes	PT = Tapered Pin
Diameter	Clamp Weight	Flange Hole Option?																							
24.80	3.59kg [7.91lbs]	Yes																							
25.00	3.59kg [7.91lbs]	Yes																							
34.80	4.40kg [9.69lbs]	No																							
35.00	4.40kg [9.69lbs]	No																							
39.80	4.46kg [9.83lbs]	Yes																							
40.00	4.46kg [9.83lbs]	Yes																							
						 Example of a special "donut"																			

LPLC38M LOCKING MANUAL PIN CLAMP



ONCE FINAL FINGER POSITION IS ESTABLISHED HANDLE MAY BE POSITIONED AS SHOWN BY REMOVING (2) M5 SHCS. WILL NOT AFFECT FINGER POSITION.

PIN DIAMETERS

<p>Ø25.0 OR Ø24.8 h6</p> <p>5.0° TAPER PER SIDE ENGAGEMENT</p> <p>Ø25.0 AND Ø24.8 PINS</p>	<p>Ø35.0 OR Ø34.8 h6</p> <p>5.0° TAPER PER SIDE ENGAGEMENT</p> <p>Ø35.0 AND Ø34.8 PINS</p>	<p>Ø40.0 OR Ø39.8 h6</p> <p>7.0° TAPER PER SIDE ENGAGEMENT</p> <p>Ø40.0 AND Ø39.8 PINS</p>
HOLE TYPE: FL/SH AVAILABLE	SH ONLY	FL/SH AVAILABLE

Note: If the LPLC38M clamp is used on a flanged hole, the finger will clamp over of the flange. (25mm, 30mm, and 40mm only)

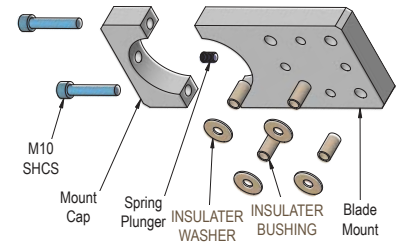
NOTE

The material must be kept parallel with the rest block's clamping surface when loading over the pin.

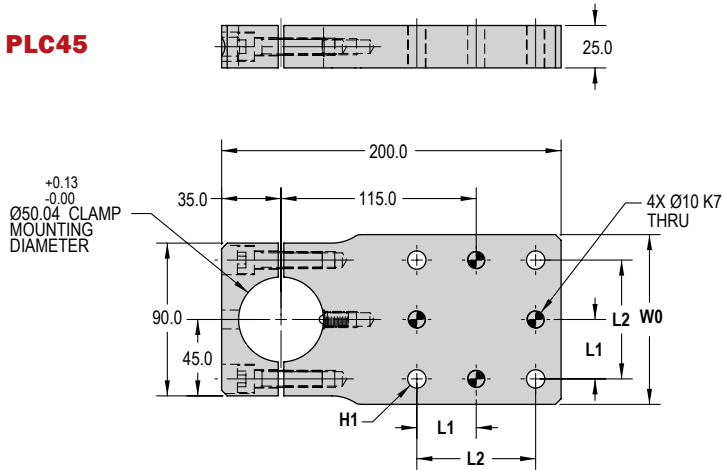
BLADE MOUNT INFORMATION

Blade style clamp mounts are currently offered in four different configurations: Insulated or non-insulated for C-flex mounting, and insulated or non-insulated for NAAMS mounting. The insulated mounts are used in welding applications, and come with insulating washers and bushings in the screw holes.

NOTE: It is the customer's responsibility to insulate any dowels required for mounting.

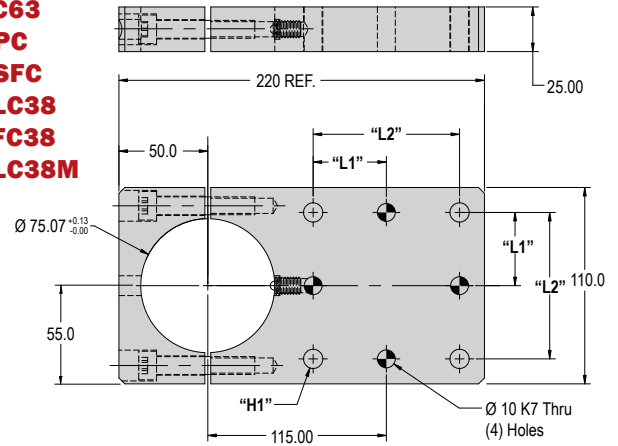


PLC45



Mount Type	Ø H1 Thru (4) Holes	W0	L0	L1	L2	BTM Number
Insulated C-Flex Mount	12.0 Insulator Bushing	110.0	205.0	41.00	82.00	794400A
C-Flex Mount	12.1	110.0	205.0	41.00	82.00	794400B
Insulated NAAMS Mount	10.0 Insulator Bushing	100.0	200.0	35.00	70.00	794400C
NAAMS Mount	10.8	100.0	200.0	35.00	70.00	794400D

PLC63 SFC63 RLPC RLSFC LPLC38 LSFC38 LPLC38M



Mount Type	Ø H1 Thru (4) Holes	L1	L2	BTM Part Number
Insulated C-Flex Mount	12.0 Insulator Bushing	41.00	82.00	794100A
C-Flex Mount	12.1	41.00	82.00	794100B
Insulated NAAMS Mount	10.0 Insulator Bushing	35.00	70.00	794100C
NAAMS Mount	10.8	35.00	70.00	794100D

MOUNT PLACEMENT

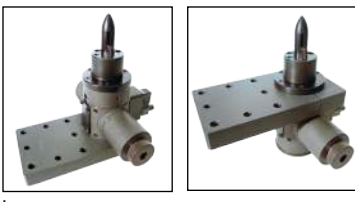
PLC45, PLC63, SFC63, RLPC, RLSFC, LPLC38, and LSFC38 models have two mounting surfaces from which to apply the blade mount (upper & lower). This allows the user flexibility in choosing the placement of the clamping surface relative to the mounting surface.

PLC, RLPC, SFC & RLSFC Clamps



Lower

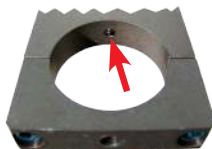
Upper



LPLC & LSFC Clamps

CLAMP ROTATION

Spring locator for positive locating of mounting reference detents.



Detents are located 4 places 90° apart on round body pin clamps. Detents provided for convenience, but do not need to be used.



3-WAY SHIM MOUNT AVAILABLE

Contact [BTM](http://www.btm.com) for more information.



Shims X, Y, Z
± 2.5mm

SWITCH INFORMATION

STANDARD SWITCHES

FOR PLC45, PLC63, SFC63, LPLC38, & LSFC38

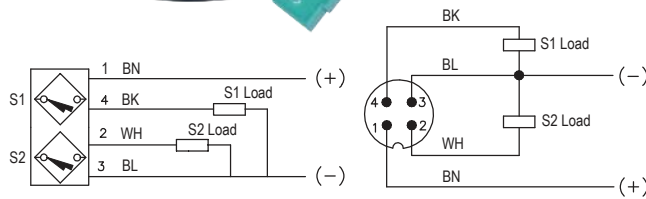
PDC - PEPPERL+FUCHS DC

NBN2-F581-160S6-E8-V1



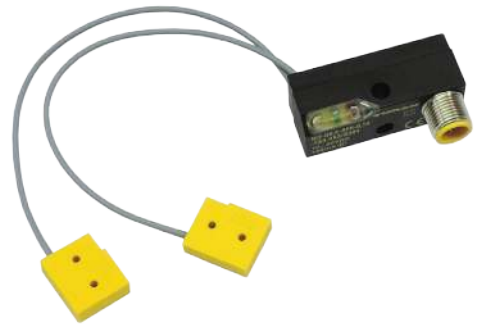
LED INDICATORS

GREEN - POWER ON
YELLOW - S1 OUTPUT ENERGIZED
RED - S2 OUTPUT ENERGIZED



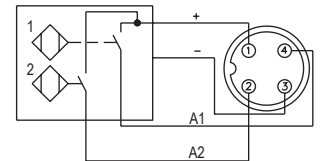
TDC - TURCK DC

Ni2Q6.5AP6-0.16-FS4.4X3/S304



LED INDICATORS

YELLOW - SO1 OUTPUT ENERGIZED
GREEN - POWER ON
RED - SO2 OUTPUT ENERGIZED



Other switches are also available (including Turck AC), but are not stocked by BTM.

STANDARD SWITCHES

FOR RLPC45, RLPC63, RLSFC63

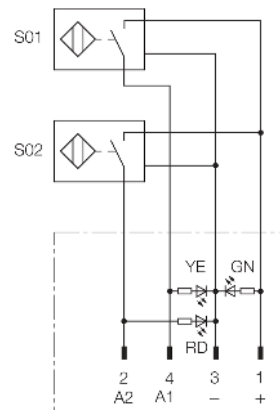
BDC - TURCK DC

Ni2-BTM-0,16-BDS-2AP6X3-H1141/S34



LED INDICATORS

YELLOW - SO1 OUTPUT ENERGIZED
GREEN - POWER ON
RED - SO2 OUTPUT ENERGIZED





WARRANTY INFORMATION

BTM Company, LLC. warrants its Pin and Hook Clamps against defects in material and workmanship for one (1) million cycles or a period of three (3) years after the ship date from BTM, which ever comes first.

This warranty is limited to replacing or repairing at BTM's option, F.O.B. BTM's factory, any part found by BTM to be defective in materials and/or workmanship. Any application of a BTM product outside the intended use of the product shall not be warranted by BTM Company, LLC. Furthermore, BTM will not be liable for any expenses incurred for repairs or replacement made outside BTM's facilities without written consent (or damages arising out of such replacements or repairs). Under no circumstances will BTM be held responsible for any consequential damages.

The warranty is limited to the repair or replacement of the defective part(s) and does not include installation.

This warranty is the only warranty extended by the seller in connection with any sale made hereunder and is in lieu of all other warranties, express, implied or statutory including warranties of merchantability and fitness for purpose.

BTM ALSO OFFERS XPC PIN LOCATOR CLAMPS



XPC Clamps are Locking Pin Locator Clamps designed with multiple extension lengths to protrude up into hard to reach locator holes while keeping the bulk of the drive cylinder away from the work area.

Model	Hole/Slot Range	Locking?	Manual Option Available?
XPC	24.8-40mm	Yes	Yes



For more information, or to view our other products, please visit:

WWW.BTM-EUROPE.DE